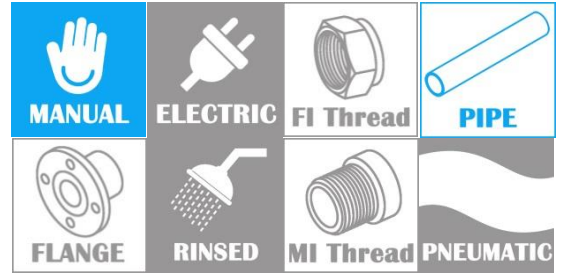
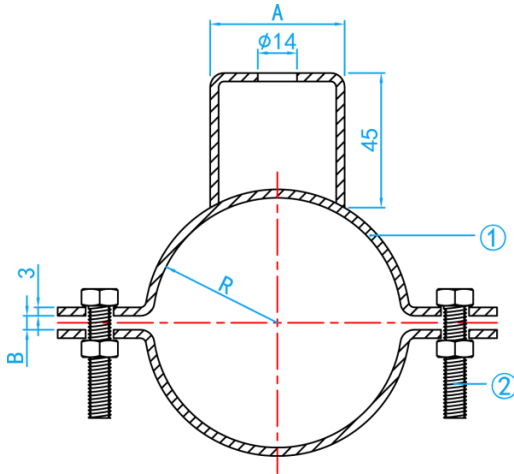


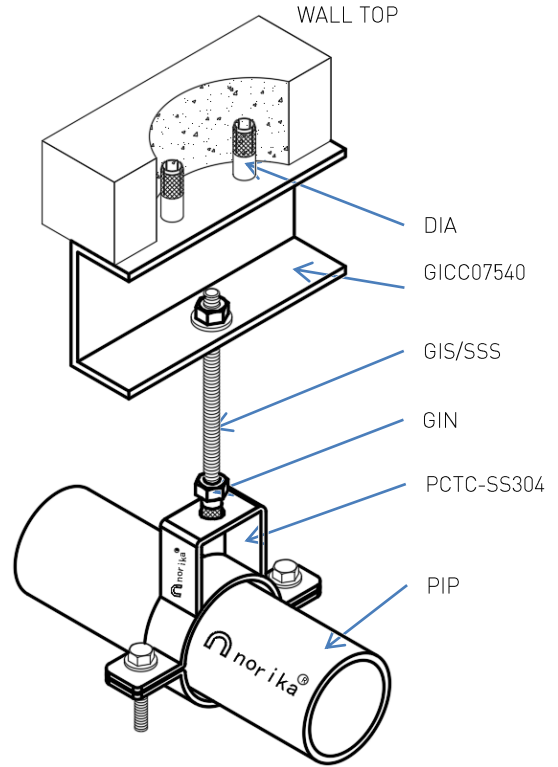
STAINLESS STEEL 304 PIPE CLAMP



* Applicable for 1/2" stud rod



CROSS SECTIONAL VIEW



COMPONENT PARTS

ITEM	PARTS	MATERIAL
1	Clamp	Stainless Steel 304
2	Bolt	Stainless Steel 304

DIMENSIONS

SKU	SIZE (mm)	A (mm)	B (mm)	R (mm)	WEIGHT (Kg)	PCS/CTN
PCTC050SS304	50	48	10	32	0.265	50
PCTC065SS304	65	48	10	39	0.286	50
PCTC080SS304	80	48	10	46	0.311	50
PCTC100SS304	100	70	7	58	0.367	50
PCTC150SS304	150	85	10	85	0.460	50
PCTC200SS304	200	100	9	110	0.563	50
PCTC250SS304	250	100	9	137	0.659	50
PCTC300SS304	300	100	9	163	0.756	-